

In-Wash®

Ona

Smart Made Simple



Roca

Seamlessly Integrated Technology

A Mediterranean-inspired design
with delicately embedded technology
to transform your toilet experience.



In Wash® Ona was designed to bring one clear experience to the bathroom: that precise and serene instant when everything happens at the right time and in a totally intuitive way. A bathroom experience consciously enhanced by technology and design.

With a design inspired by Mediterranean nature, In Wash® Ona fuses aesthetics and technology to create a seamless experience driven by simplicity and peace of mind.

In Wash® Ona is not just an average smart toilet. It is smart made simple.



In Wash® Ona wall hung /
PL7 dual flush operating plate in matt black /
Ona unik base unit with one drawer in matt white
and centered basin, 1000 mm /
Ona basin complements in matt grey /
Delta column unit in matt white / Luna Ambient mirror /
Ona faucets in matt black / Hotels Round accessories /
Ona asymmetric corner bath with panels, 1600 x 700 mm /
Stella hand shower



In Wash® Ona wall hung toilet /
PL10 dual flush operating plate
in matt black / Hotels Round
toilet holder in matt black



In-Wash® Ona close coupled toilet /
Hotels Round toilet holder in matt black



Designed for simplicity

Outstanding aesthetics, seamless technology

The smartest experience is an uncomplicated one. Every feature in In Wash® Ona has been carefully considered to be intuitive by nature.

Simple and accessible, the side panel and knob allow the user to personalise washing and drying functions easily, while the Roca Connect app enables extended control of every functionality.



Clean by design

Total hygiene for peace of mind

Design and technology exceed expectations with a selection of materials and features that help keep bacteria at bay, maintaining In Wash® Ona's highest hygiene standards.

UV light to sanitise the self cleaning nozzle after each use, Roca Rimless® for optimised cleaning, the Supraglaze® coating to enhance hygiene and ensure dirt removal, and the quick release cover with Lift&Clean for easy and thorough sanitising.



An optimized experience

Smartly user-focused cleaning and drying

Different sources for rear and front water washing. For rear wash we apply Airtech technology where air mixed in the water allows for a better cleaning result.

Water temperature, nozzle position and water pressure are totally adaptable.

After washing, the Coanda effect provides top performing and efficient drying technology.

In Wash® Ona puts the user at the centre and makes it easy to configure and activate each step.



Roca Connect

The power of IoT at your fingertips

Integrated systems make In Wash® Ona seamlessly smart. Set your preferred washing and drying configurations, and manage and pre programme other functions via the dedicated mobile app.

Access and track consumption insights, get notifications and alerts in Roca Connect and discover how technology can support sustainability through effective water management.

Simplicity enabled by technology

Knob and Side Panel: easy and accessible control of the whole washing and drying experience with a knob and lateral side buttons.

Rear and Front Wash: different sources for totally adaptable rear and front washing. For rear wash we apply Airtech technology where air mixed in the water allows for a better cleaning result.

Coanda Effect: this principle was a source of inspiration in the design of the nozzle, which directs air to the precise point where it is needed. Now air can be directed to a specific area for peak drying performance at any power level.

Self cleaning Nozzle with UV Light: applying water before and after every use and complementing it with UV light, In Wash® Ona ensures the removal of 99,99% of bacteria.

Lift&Clean: the e bidet can be partially detached. A simple lift to make cleaning extra easy.

Roca Rimless®: optimised cleaning with a bowl designed to exceed all flushing standards.

Supraglaze®: an exclusive Roca glazing surface for extra hygiene.

Heated Seat: enhanced experience with an optional heated seat function for carefully balanced warmth in the seat. Only available in heated seat versions.

Night Light: subtle illumination to easily find In Wash® Ona at night.

Descaling: an easy to use descaling process to ensure long term performance.

Roca Connect: conceived as a user friendly extension of the knob and side panel, Roca Connect allows you to adjust the settings and duration of every process. You can also schedule and programme maintenance, cleaning and other operations.

Lift&Clean

Roca Connect

Descaling

Knob and Side Panel

Night Light

Self cleaning Nozzle with UV Light

Coanda Effect

Supraglaze®

Roca Rimless®

Heated Seat

Rear and Front Wash



In-Wash® Ona

Technical Information

In-Wash® Ona wall-hung



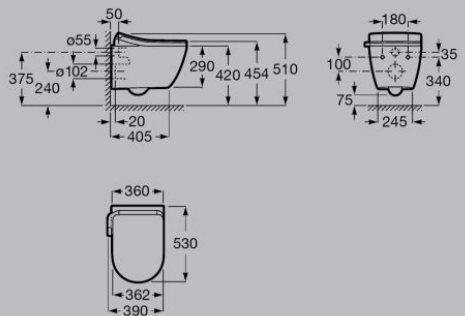
A803150S01

Wall hung smart toilet. Roca Rimless®, seat and cover with washing and drying function included. Supraglaze® coating. Needs power supply. Duplo WC One Smart installation system (A890078020) recommended.

A80315FS01 (Heated Seat)

Wall hung smart toilet. Roca Rimless®, seat and cover with washing and drying function included. Heated seat with adjustable temperature. Supraglaze® coating. Needs power supply. Duplo WC Smart One installation system (A890078020) recommended.

Measurements



Dimensions in mm

Functionalities

Rear Wash with Airtech



Front Wash



Coanda Effect



Roca Rimless®



In-Wash® Ona back to wall single floorstanding



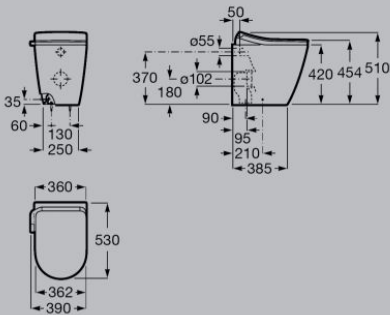
A803153S01

Back to wall single floorstanding smart toilet with dual outlet. Roca Rimless®, seat and cover with washing and drying function included. Supraglaze® coating. Needs power supply. Basic Tank One Compact installation system (A890070200) recommended.

A80315GS01 (Heated Seat)

Back to wall single floorstanding smart toilet with dual outlet. Roca Rimless®, seat and cover with washing and drying function included. Heated seat with adjustable temperature. Supraglaze® coating. Needs power supply. Basic Tank One Compact installation system (A890070200) recommended.

Measurements



In-Wash® Ona close-coupled



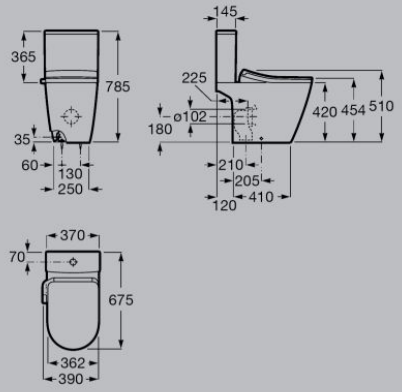
A803151S01

Close coupled smart toilet with dual flush 4,5/3 litre and dual outlet. Roca Rimless®, seat and cover with washing and drying function included. Supraglaze® coating. Needs power supply.

A80315HS01 (Heated Seat)

Close coupled smart toilet with dual flush 4,5/3 litre and dual outlet. Roca Rimless®, seat and cover with washing and drying function included. Heated seat with adjustable temperature. Supraglaze® coating. Needs power supply.

Measurements



Dimensions in mm

Roca Connect



Flush



Supraglaze®



UV Light



Soft Close



Functionalities



Washing & Drying	Rear wash with Airtech	●	●	●
	Front wash	●	●	●
	Oscillating wash	●	●	●
	Water heating	●	●	●
	Water temperature control	●	●	●
	Water pressure control	●	●	●
	Nozzle position adjustment	●	●	●
	Drying function	●	●	●
	Dryer intensity control	●	●	●
	Coanda Effect dryer function	●	●	●
Comfort	Soft-closing seat and cover	●	●	●
	Heated Seat	*	*	*
	Side control panel	●	●	●
	Roca Connect	●	●	●
	Customized programs	●	●	●
	User detection	●	●	●
	Night light	●	●	●
	Stand-by mode	●	●	●
	Hidden water and power supply	●	●	●
Hygiene	Self-cleaning nozzle	●	●	●
	Automatic nozzle cleaning	●	●	●
	Self-cleaning nozzle with UV Light	●	●	●
	Removable nozzle tip	●	●	●
	Quick release cover	●	●	●
	Roca Rimless	●	●	●
	Supraglaze® glazing	●	●	●
	Antibacterial material	●	●	●
	Descaling	●	●	●

All products comply with the EN1717 regulation

* Available in Heated Seat versions

Direction

Roca

Art & Creative Direction

Morillas

Photography

Eugeni Aguiló Aroca / Salva López

CGI

Norte Studio

Photographs taken at

Roca studios. Gavà, Barcelona /

La Ricarda Casa Gomis.

El Prat de Llobregat, Barcelona



© Roca Sanitario, S.A.U. Barcelona 2023

Avda. Diagonal, 513 / 08029 Barcelona - Spain

As part of its product development policy, Roca reserves the right to modify at any time and without prior notice, any of the models and elements described in this document; Roca therefore does not guarantee the availability of those products nor does it ensure that the specifications, colors, shapes and other reproduced features are identical to the real ones. The displayed settings are merely decorative, and no technical requirements have been taken into consideration while composing them. Total or partial reproduction of the content of this publication without Roca's express authorization is prohibited.

